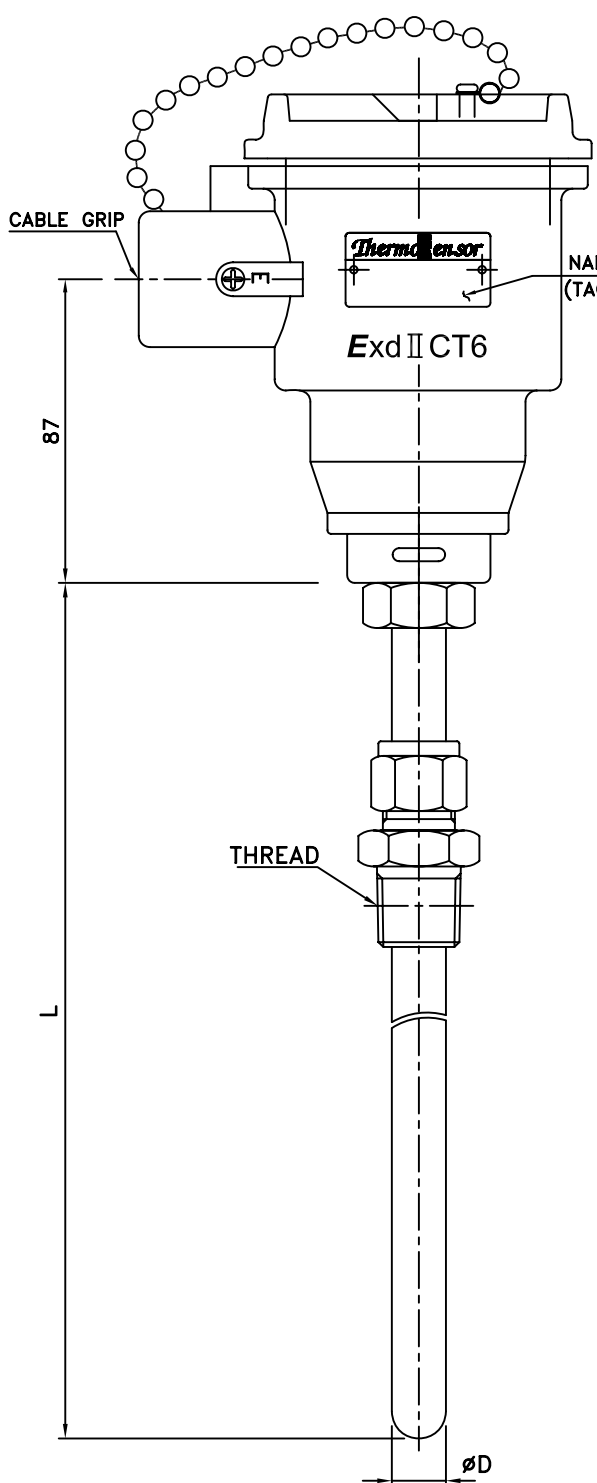


ST SUPER THERMOCOUPLES      MODEL SST-910C

**\*GENERAL SPECIFICATION**

- PROBE TYPE      SUPER SHEATHED TYPE
- TERMINAL HEAD EXPLOSION PROOF TYPE (ExdIICT6)
- MATERIAL      ALUMINUM ALLOY
- SURFACE COLOR METALLIC SILVER
- TERMINAL BLOCK PHENOL RESIN
- MOUNTING TYPE COMPRESSION FITTING



**\*ORDER SPECIFICATION**

- ELEMENT
  - ① CALIBRATION
    - 1. N       2. K
  - ② GRADE
    - 1. CLASS 1       2. CLASS 2
    - 3. CLASS 3       4. OTHER [      ]
  - ③ NUMBER OF ELEMENT WIRE
    - 1. 2-WIRE [SINGLE]       2. 4-WIRE [DUAL]
  - ④ TYPE OF HOT JUNCTION
    - 1. GROUNDED TYPE
    - 2. UNGROUNDED TYPE
    - 3. EXPOSED TYPE
- SHEATHED TUBE
  - ⑤ MATERIAL
    - 1. SUPPER ALLOY       2. OTHER [      ]
  - ⑥ OUT DIA (øD)
    - 1. 0.25       2. 0.5       3. 1.0       4. 1.6
    - 5. 2.3       6. 3.2       7. 4.8       8. 6.4
    - 9. 8.0       10. OTHER [      ]
  - ⑦ LENGTH (L)
    - \_\_\_\_\_ mm
- MOUNTING
  - ⑧ THREAD SIZE
    - 1. PT 1/2       2. PT 3/4       3. PF 1/2
    - 4. PF 3/4       5. OTHER [      ]
  - ⑨ COMPRESSION FITTING MATERIAL
    - 1. SUS304       2. SUS316       3. OTHER [      ]
- SPECIAL REQUIREMENT

5					CUSTOMER	Design	Scale	N.S
4						Checked	Wt Est - kg	
3						Approved	Date	
2						TITLE		
1						MODEL		
Item	Part Name	Material	Q'ty	Remark				

